

FURUNO GPS - OEM / Timing Division

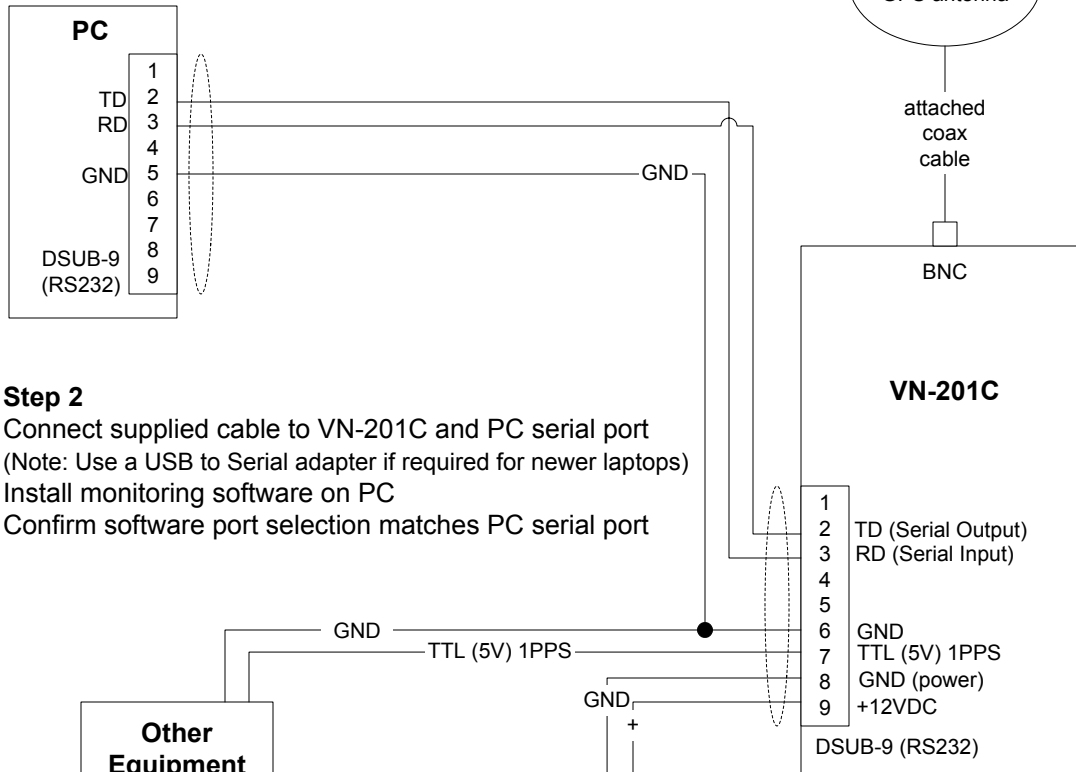
VN-201C (GN-80) Evaluation Kit

Quick Installation Sheet

Step 1

Connect antenna to VN-201C BNC connector
Mount antenna in a suitable outside location

AU12-5B
GPS antenna



Step 2

Connect supplied cable to VN-201C and PC serial port
(Note: Use a USB to Serial adapter if required for newer laptops)
Install monitoring software on PC
Confirm software port selection matches PC serial port

Application Notes:

12 volt power supply (regulated @1A or higher)
Memory Back-up: >8 years (evaluation kit only)
Communication Method: Full Duplex, Asynchronous
Data Speed: 4800 bps
Data Length: 8 bit
Parity: None
Stop Bit: 1 bit
Code: ASCII Code
Signal Line: TD/RD
Signal Level: RS232
Data: Refer to GN-80 receiver protocol specifications
See "Specifications Guide" for more information

GN-80 Parameters

Please refer to the GN-80 specifications for actual design parameters regarding power and back-up voltage requirements, specific data outputs, etc.

Step 3

Connect VN-201C (+) red wire to power supply (+) terminal
Connect VN-201C (-) black wire to power supply (-) terminal
Power on unit and start evaluating

Furuno GPS Division		
TITLE VN-201C (GN-80) Evaluation Kit		
DATE 5/24/2006	REVISED 5/25/2006	DRAWN BY GP