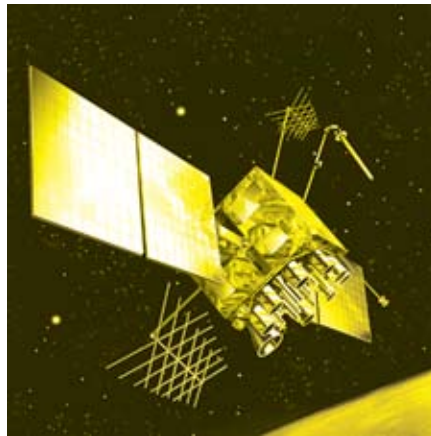


The Furuno GH-84 is a miniature high-sensitivity, low power GPS/AGPS receiver that combines a hardware measurement platform (MP) with powerful navigation software. It delivers fast, accurate positioning data in challenging locations such as indoor environments and deep urban canyons.

The GH-84 employs novel decoding algorithms, effectively achieving 44,000 correlators.

The GH-84 includes an integral antenna. This very small and powerful module will allow you to have excellent Furuno quality performance.

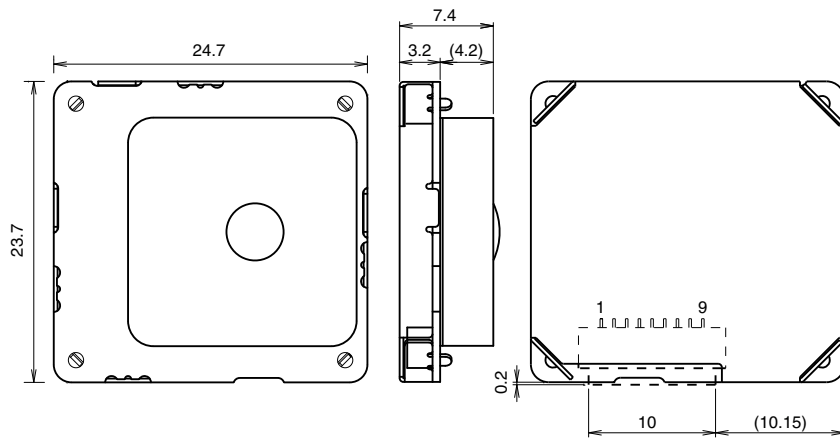
## GH-84 Series GPS Receiver



# SPECIFICATIONS OF FURUNO GH-84 SERIES GPS RECEIVER:

GENERAL	
Number of Channels	32 while acquiring, 12 while tracking
Receiving Frequency	1575.42MHz@1MHz
Data Update Rate	Every second
Communication Protocol	NMEA or Furuno Binary
Sensitivity	-145dBm cold start, -160dBm tracking
Interface	3.3V C-Mos
Baud Rate	9600 bps
Supply Voltage	3.3VDC@0.3VDC(1V@0.1V can be supplied externally)
Operation Temperature	-30 to 85
ACQUISITION TRACKING	
Initial acquisition Time (hot start)	2 seconds
Initial acquisition Time (warm start)	33 seconds
Initial acquisition Time (cold start)	38 seconds

All specification subject to change without notice



## Features:

- Designed specifically for the handheld device market
  - Fast search engine offers incredibly rapid TTFF without increase in power requirement or circuitry size
  - Small size - 23.7mm X 24.7mm
  - Software compatible with the GH-81
  - Intermittent Operation Mode enables a much lower power consumption:
    - <2 mA in Low Power Intermittent Mode
    - 17 mA in Full Satellite Tracking Mode
    - 22 mA in Satellite Searching Mode
- (All values given at @ 3.3VDC Main Power)
- Available as GH-84D (Direct Mount) or GH-84C (Cable with Connector)

[www.FurunoGPS.com](http://www.FurunoGPS.com)  
**FURUNO®**

**Furuno Electric Co., Ltd.**  
 2-20 Nishinomiya-hama  
 Nishinomiya, Japan  
 Tel.: +81-798-33-7555